



SLZ SERIES : Standard Series

FEATURES

- Wide Variety Of Actuators For Different Application
- Heavy Duty Aluminum Dia Cast Body
- Oil Tight, Water Tight And Dust Proof
- Double Spring Construction For Longer Mechanical Life



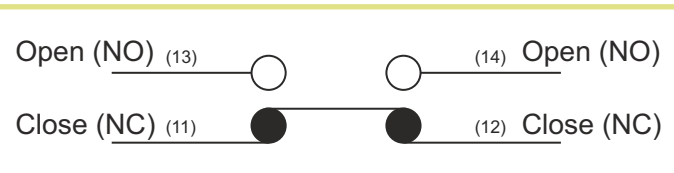
CHARACTERISTICS

Operating Speed	1mm-2m/s
Operating Frequency	Mechanical: 120 operations/minute
	Electrical: 30 operations/minuts
Contact Resistance	15mΩ max. (initial value)
Insulation Resistance	100mΩ min. (at 500VDC)
Dielectric Strength	50/60Hz for 1 minute between terminals of the same polarity
	50/60Hz for 1 minute between current Carrying and non-current carrying metal parts
	1500VAC, 50/60Hz for 1 minute between each terminal and ground
Vibration	10-55Hz, 1.5mm double amplitude
Shock	Mechanical durable: 1,000m/Sec2 (about 100G'S)
	Electrical: 300m/Sec2 (about 30G'S)
Ambient temperature	-10~+80°C (with no icing)
Humidity	<95%RH
Life	Mechanical: 10 million operations above
	Electrical: 500,000 operations above
Degree of protection	IP66 (IEC Standard)

RATING

Rated Voltage	Non-inductive Load (A)		Inductive Load (A)			
	Resistance Load		Lamp Load	Motor Load		
	NC	NO	NC	NO		
125VAC	10	3	1.5	10	5	2
250VAC	5	2	1	5	3	1
480VAC	3	1.5	0.8	3	1.5	0.8
600VAC	1	1	0.5	1.5	1	0.5
8VDC	10	6	3	10	6	6
14VDC	10	6	3	10	6	6
30VDC	6	4	3	6	4	4
125VDC	0.8	0.2	0.2	0.8	0.2	0.2
250VDC	0.4	0.1	0.1	0.4	0.1	0.1

CONTACT FORM



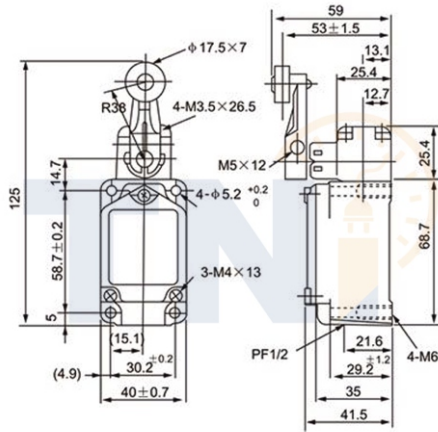
ORDER CODE

MODEL	DESCRIPTION
SLZ-204S	ROLLER LEVER
SLZ-208S	MS ADJUSTABLE ROLLER LEVER
SLZ-211	PLUG COLUMN
SLZ-212	ROLLER PLUG COLUMN
SLZ-222	CROSS ROLLER PLUG COLUMN
SLZ-268	SPRING WIRE HARD ROD

OPERATING CHARACTERISTICS

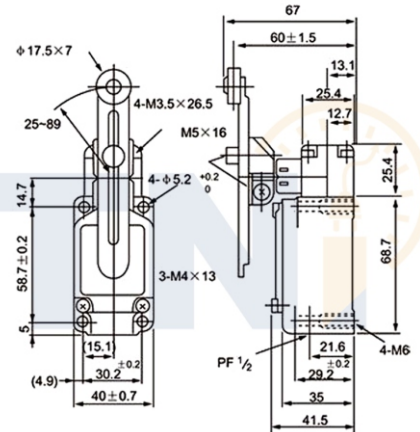
MODEL	Operating Force	Release Force	Pre Travel	Over Travel	Movement Defential	Total Force	Total Travel
ROLLER LEVER (SLZ-204S)	1360g	227g	20°	30°	12°	2720g	50°
MS ADJUSTABLE ROLLER LEVER (SLZ-208S)	1360g	227g	20°	30°	12°	2720g	50°
PLUG COLUMN (SLZ-211)	2720g	910g	1.7mm	6.4mm	1mm	-	90+2.8mm
ROLLER PLUG COLUMN (SLZ-212)	2720g	910g	1.7mm	5.6mm	1mm	-	6.5+0.8mm
CROSS ROLLER PLUG COLUMN (SLZ-222)	2720g	910g	1.7mm	5.6mm	1mm	2720g	6.5+0.8mm
SPRING WIRE HARD ROD (SLZ-268)	80g	-	28mm	-	-	-	-

SLZ-204S



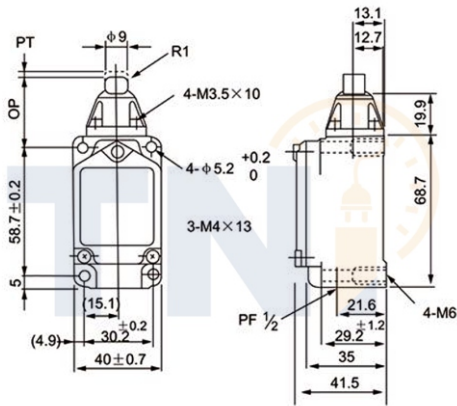
ROLLER LEVER

SLZ-208S



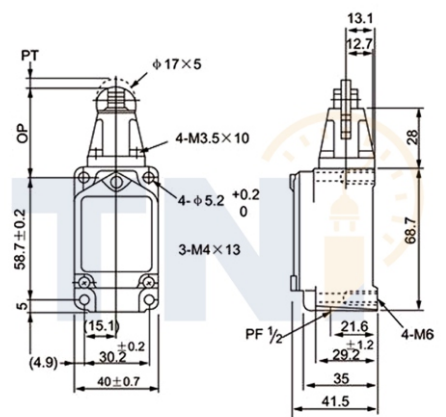
MS ADJUSTABLE ROLLER LEVER

SLZ-211



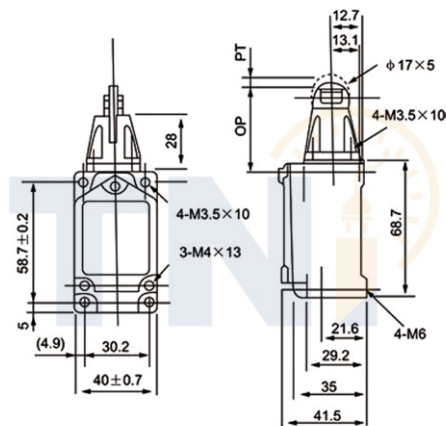
PLUG COLUMN

SLZ-212



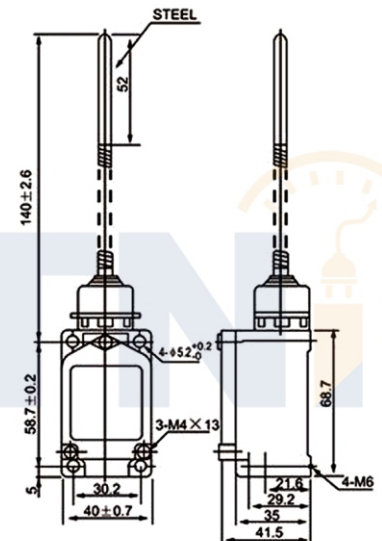
ROLLER PLUG COLUMN

SLZ-222



CROSS ROLLER PLUG COLUMN

SLZ-268



SPRING WIRE HARD ROD