



Features

- PROTECTION : Short-circuit, Surge Absorber, Reverse connection
- Red Led Display Can Detect Sensor Work Status
- Easy To Set Up And Adjust Distance
- Waterproof, Anti Oil, Temperature And Other Advantages
- IP67 Protection Structure (IEC Specification)
- 1 Year Warranty

GENERAL CHARACTERISTICS

PARAMETERS	MOUNT	NPN	PNP
Sensing Distance	NON	8mm ± 10%	
Frequency (Hz)	FLUSH	200HZ	
Movement Differential	Max.10% of sensing distance		
Standard Detected object	Iron 36X36X1mm		

ORDER CODE

MODEL	TYPE	LOGIC	OUTPUT	MOUNT	RANGE
BMD36-P8-O	DC	PNP	NO	NON FLUSH	8mm
BMD36-N8-O		NPN			

OPERATING CHARACTERISTICS

Supply Voltage (V)	10-30VDC
Current Consumption (mA)	12mA max
Load Current (mA)	200mA max
Voltage Drop (Vp)	1.5V max

ENVIRONMENT

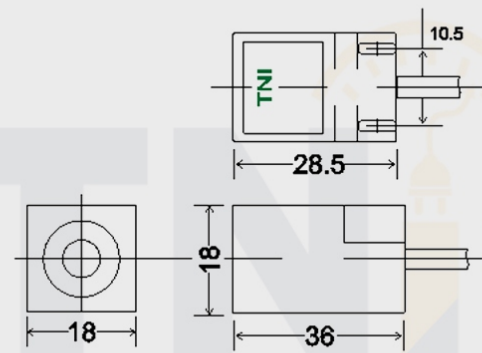
Operating Temperature	-25°C to + 70°C (non freezing condition)
Ambient Humidity	35% to 95% RH
Insulation Resistance	Min 50MΩ (500VDC)
Dielectric Strength	1500VAC 50/60Hz for 1 minute

OTHER CHARACTERISTICS

Indicator	Operating	Red LED
Material	Case	ABS
	Detecting surface	ABS
Protection Grade	IP67 (IEC Specification)	
Authentication	CE	

DIMENSIONS

BMD36



18x18x36mm

PROTECTION & SECURITY

Protection Circuit	Reverse Polarity Protection, Surge Absorber, Short Circuit Protection
Vibration	1mm amplitude at 10 ~ 55Hz Frequency for 120 min each in X, Y, Z Directions
Shock	500m/s ² (50G) for 3 times in X, Y, Z Directions