



**Features**

- Ø16mm dia cutout
- 4 LED Bright Luminance
- All Colors Red, Green, Yellow, Blue, White And Amber Available
- Voltages Available 230VAC, 24VDC
- 1 Year Warranty

**TECHNICAL SPECIFICATION**

Rated Voltage	230VAC, 24VDC
Operating Voltage	-20% to +10% of rated voltage
Rated Working Current	≤ 20mA max
Voltage Fluctuation Range	+20% (above 110V)
Operating Frequency	50/60 Hz
Insulation Resistance	U <sub>i</sub> ≤ 60V5MΩ
Withstand Voltage	2.5KV (AC effective value) 1min.
Continues Working Life	≥ 3,0000Hrs
Brightness	≤ 100cd/m <sup>2</sup>

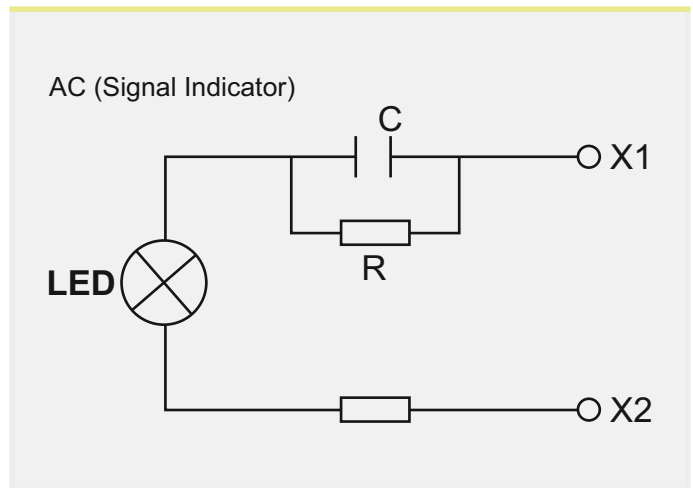
**OTHER SPECIFICATION**

Degree of Protection	IP20
Confirming of Standard	IEC60947-5-1, EN60947-5-1

**ORDER CODE**

MODEL	VOLTAGE	COLOUR
LP16-A230-R	230V AC	● RED
LP16-A230-G		● GREEN
LP16-A230-Y		● YELLOW
LP16-A230-B		● BLUE
LP16-A230-W		○ WHITE
LP16-A230-A		● AMBER
LP16-D24-R	24V DC	● RED
LP16-D24-G		● GREEN
LP16-D24-Y		● YELLOW
LP16-D24-B		● BLUE
LP16-D24-W		○ WHITE
LP16-D24-A		● AMBER

**INTERNAL WIRING DIAGRAM**



**DIMENSIONS**

