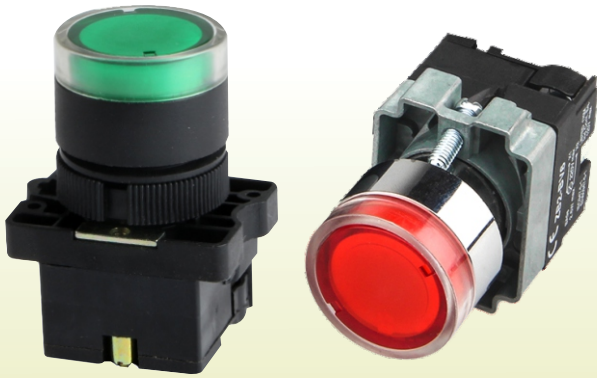


Ø 22.5mm

ILLUMINATED PUSH BUTTON



Features

- Ø22.5mm dia cutout
- Comfortable Finger Press Position and Switch Toggle Operation Function
- All Colors Red, Green, Yellow, Blue And Amber Available
- CE Marked on all models
- 1 Year Warranty



TECHNICAL SPECIFICATION

Operating Voltage	230V AC / 24V DC
Ambient Temperature	-25°C - +55°C
Vibration Resistance	<500Hz, Amplitude about 1.0mm
Impact Resistance	≥ 10g
Operating Frequency	50-60Hz
Contact Action	NO / NC (NC contact is directly disconnected)
Mechanical life	Button: More than 1 million time Head: 100000 time
Electrical life	AC more than 100000 time

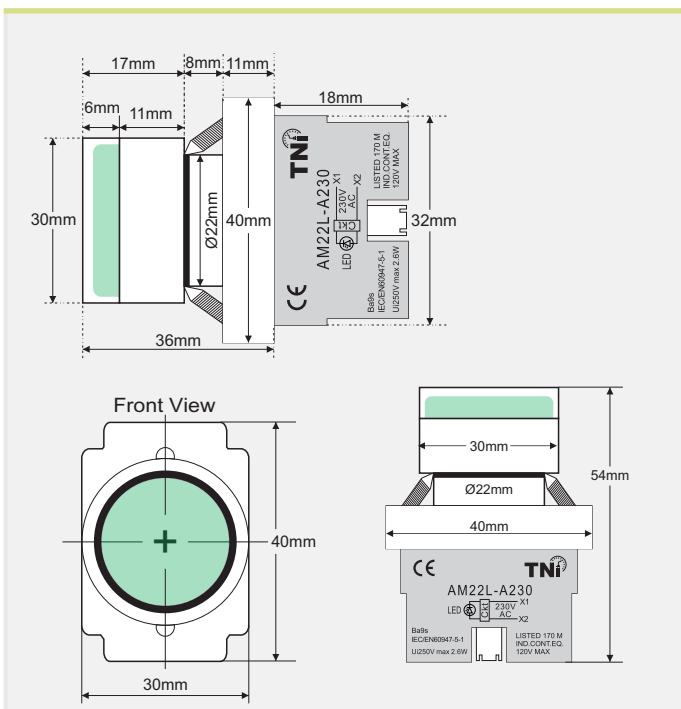
PROTECTION

Standard Compliance	GB 14048.5-2008, IEC 60947-5-1
Degree of Protection	IP65

ORDER CODE

ILLUMINATED METAL PUSH BUTTON			
MODEL	COLOUR	VOLT	MPQ
AM22L-A230-R	RED	230V AC	20
AM22L-A230-G	GREEN		
AM22L-A230-Y	YELLOW		
AM22L-A230-B	BLUE		
AM22L-A230-A	AMBER		
AM22L-D24-R	RED	24V DC	20
AM22L-D24-G	GREEN		
ILLUMINATED PLASTIC PUSH BUTTON			
MODEL	COLOUR	VOLT	MPQ
AP22L-A230-R	RED	230V AC	20
AP22L-A230-G	GREEN		
AP22L-A230-Y	YELLOW		
AP22L-A230-B	BLUE		
AP22L-A230-A	AMBER		

METAL PUSH BUTTON DIMENSIONS



PLASTIC PUSH BUTTON DIMENSIONS

