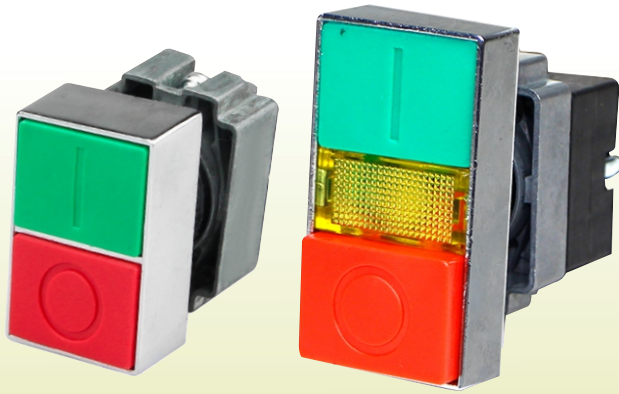


Ø 22.5mm

# TWIN PUSH BUTTON



## Features

- Ø22.5mm dia cutout
- Comfortable Finger Press Position and Switch Toggle Operation Function
- CE Marked on all models
- 1 Year Warranty



## TECHNICAL SPECIFICATION

Operating Voltage	230V AC
Ambient Temperature	-25°C - +55°C
Vibration Resistance	<500Hz, Amplitude about 1.0mm
Impact Resistance	≥ 10g
Operating Frequency	50-60Hz
Contact Action	NO / NC (NC contact is directly disconnected)
Mechanical life	Button: More than 1 million time Head: 100000 time
Electrical life	AC more than 100000 time

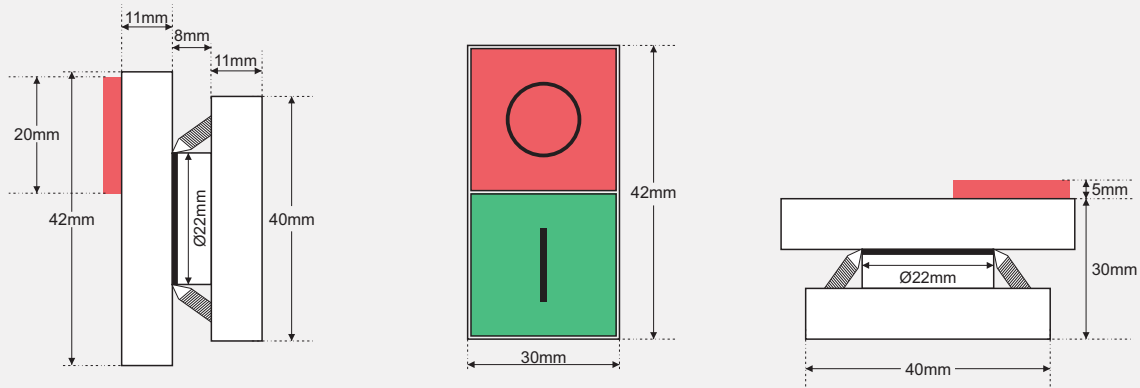
## ORDER CODE

ILLUMINATED METAL PUSH BUTTON		
MODEL	DESCRIPTION	MPQ
SH2-RG-M	-	20
SH2L-RG-M	230VAC illuminated	

## PROTECTION

Standard Compliance	GB 14048.5-2008, IEC 60947-5-1
Degree of Protection	IP65

## SH2-RG-M DIMENSIONS



## SH2L-RG-M DIMENSIONS

