

Ø 22.5mm

EMERGENCY ACTUATOR



Features

- Ø22.5mm dia cutout
- Comfortable Finger Press Position and Switch Toggle Operation Function
- CE Marked on all models
- 1 Year Warranty



TECHNICAL SPECIFICATION

Ambient Temperature	-25 °C - +55 °C
Vibration Resistance	<500Hz, Amplitude about 1.0mm
Impact Resistance	≥ 10g
Operating Frequency	50-60Hz
Contact Action	NO / NC (NC contact is directly disconnected)
Mechanical life	Button: More than 1 million time Head: 100000 time
Electrical life	AC more than 100000 time

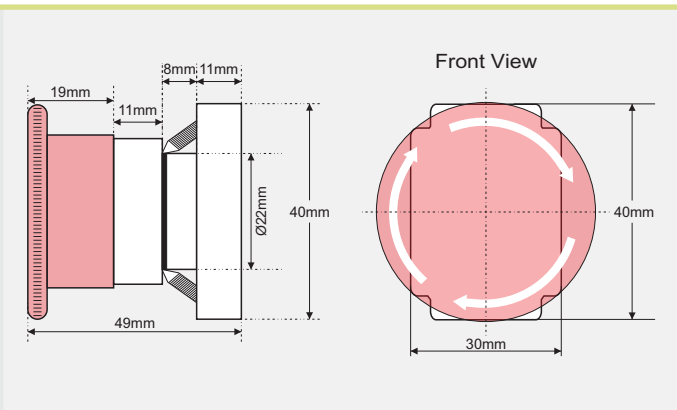
PROTECTION

Standard Compliance	GB 14048.5-2008, IEC 60947-5-1
Degree of Protection	IP65

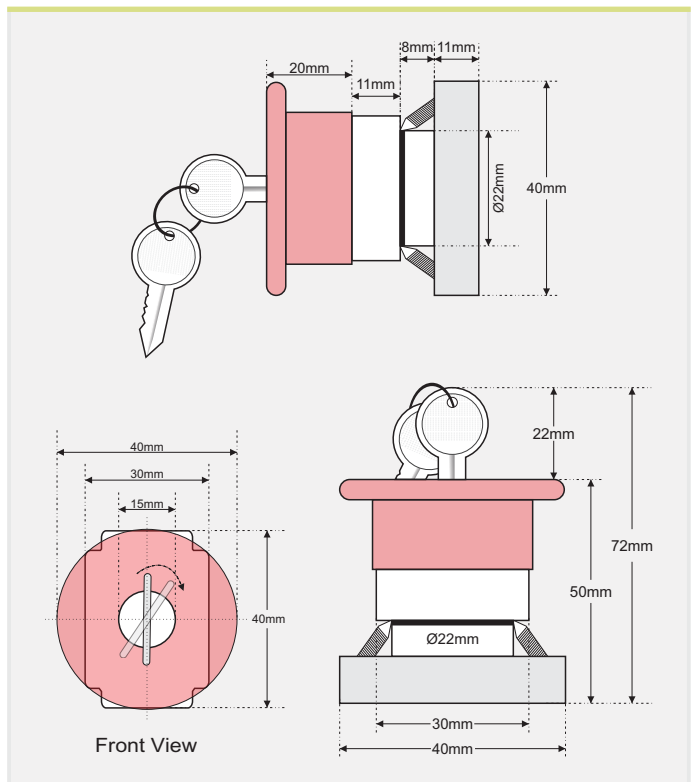
ORDER CODE

MODEL	COLOUR	MPQ
METAL EMERGENCY ACTUATOR		
EA40-R	● RED	10
PLASTIC EMERGENCY ACTUATOR		
AP22-EA40R	● RED	10
EMERGENCY ACTUATOR WITH KEY		
KY-EA40-R	● RED	10

METAL EMERGENCY ACTUATOR DIMENSIONS



EMERGENCY WITH KEY DIMENSIONS



PLASTIC EMERGENCY ACTUATOR DIMENSION

