



Features

- Ø22.5mm dia cutout
- Comfortable Finger Press Position and Switch Toggle Operation Function
- CE Marked on all models
- 1 Year Warranty



TECHNICAL SPECIFICATION

Ambient Temperature	-25 °C - +55 °C
Vibration Resistance	<500Hz, Amplitude about 1.0mm
Impact Resistance	≥ 10g
Operating Frequency	50-60Hz
Contact Action	NO / NC (NC contact is directly disconnected)
Mechanical life	Button: More than 1 million time Head: 100000 time
Electrical life	AC more than 100000 time

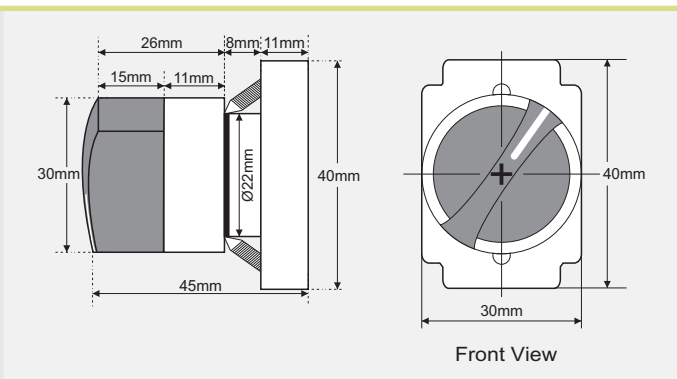
PROTECTION

Standard Compliance	GB 14048.5-2008, IEC 60947-5-1
Degree of Protection	IP65

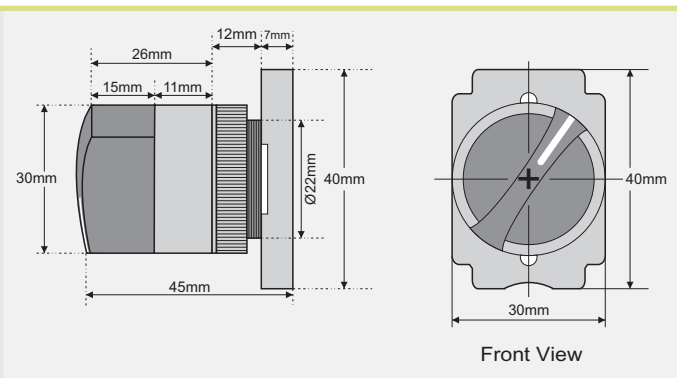
ORDER CODE

MODEL	POS	COLOUR	MPQ
METAL SELECTOR ACTUATOR			
SA2-BK	2 WAY	● BLACK	20
SA3-BK	3 WAY		
PLASTIC SELECTOR ACTUATOR			
SA2P-BK	2 WAY	● BLACK	20
SA3P-BK	3 WAY		
SPRING RETURN ACTUATOR			
SA2-SR-BK	2 WAY	● BLACK	20
SA3-SR-BK	3 WAY		
METAL SELECTOR ACTUATOR			
MODEL	DESCRIPTION		MPQ
KY-SA2-BK	2 Way With Key Removable In Both Position		20
KY-SA3-BK	3 Way With Key Removable In Center Position		

METAL SELECTOR ACTUATOR DIMENSIONS



PLASTIC SELECTOR ACTUATOR DIMENSIONS



SPRING RETURN SELECTOR DIMENSIONS

